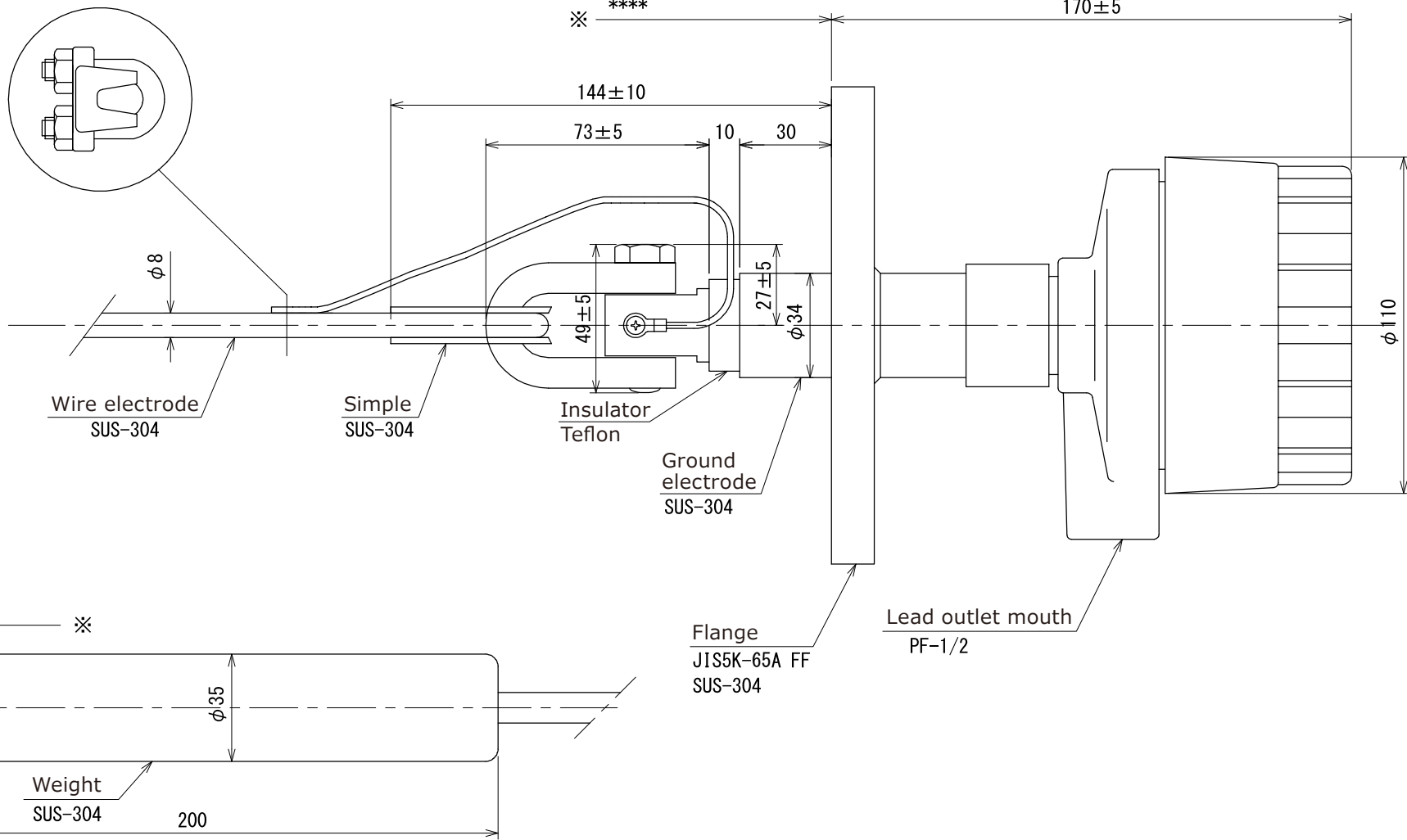


Wire clip
SUS-304 Fixed with 2 points



			TITLE	S1 Type Level Switch Outline Drawing				PROJECTION THIRD ANGLE	SCALE /	DWG No.	
			REVISION	APPROVED	CHECKED	DRAWN	DATE				
M. K	DATE	REVISION	W2-0001				2001. 06. 11				